

## APPLICATIONS

caRoI™ R winch is a rescue equipment compliant with EN 1496 class A, with a maximum load of 150 kg.  
caRoI™ R winch meets the requirements of hoisting winches with a maximum load of 250 kg (Directive 2006/42 / EEC)  
caRoI™ R winches can be used as suspended work devices if they are coupled with a fall arrest system complying with standard EN 363. (NB for this configuration the user must comply with the legal requirements applicable in the area of use).



## DESCRIPTION

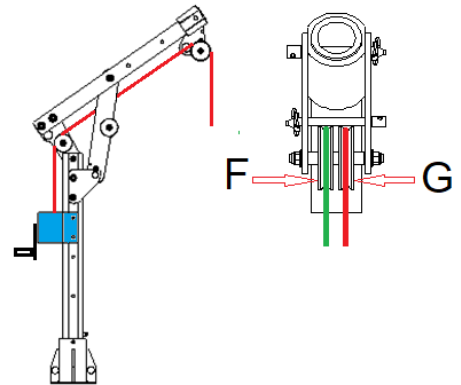
caRoI™ R winches are rescue winches that have been tested for installation on the mast of the Tractel® davitrac. They are delivered with a mounting bracket specifically designed for this purpose. This bracket is certified according to EN795:2012.

To use it correctly on the davitrac, the cable must be placed on a pulley attached to the head on the arm of the davitrac.

NB: the choice of the pulley must be made according to the use of the winch.

F => PPE pulley

G => Pulley for material lifting up to 250 kg



## TECHNICAL CHARACTERISTICS

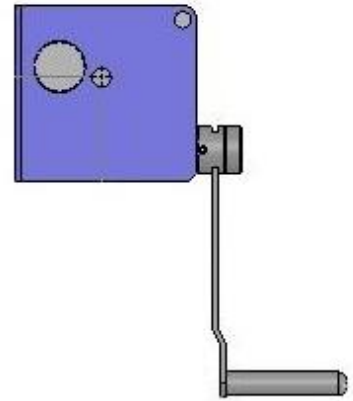
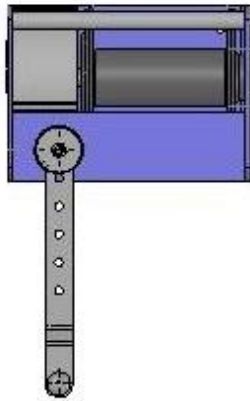
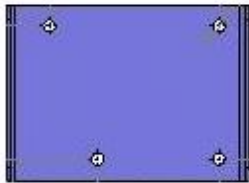
caRoI™ R winches are delivered with a mounting bracket which is fixed to the mast of the davitrac manufactured by Tractel®.

They are delivered with cable and connector.

They exist in two capacities: 20m and 30m.

- Double braking safety by the self-braking worm gear system and the addition of a ratchet brake with double spring
- Drum and gearwheel mounted on bronze bearings
- Rigid frame with painted mechanical parts and drums
- Easily accessible lever-operated clutch drum with safety device to prevent disengagement under load
- Protection of users and mechanical parts by an ergonomic protective cover that can be removed for maintenance.
- Quick and easy cable connection
- Variable length control crank handle (6 adjustment positions) allowing the user either maximum control force or quick manoeuvring for small loads or rewinding operations
- Self-locking crank adjustment knob for maximum comfort and safety of use and allowing the crank to be adjusted or removed to lock the winch operation.
- The caRoI™ R winch with its bracket is fixed with 2 pins to the davitrac mast.
- Easily transportable thanks to the crossbar
- Equipped with a mounting bracket for davitrac

WLL	Ø	Cable Maximum capacity	Number of layers	Crank		Weight (without cable)
				Force	Lift per round	
250 kg	5 mm	20 m	5	10 kg	21 mm	11 kg
250 kg	5 mm	30 m	5	13,5 kg	17 mm	17 kg



## APPLICABLE STANDARDS

Bracket caRol™ complies to:

- The EN 795:2012 standard for mounting on davitrac

Winch caRol™ complies to:

- The EN1496 standard class A 150 kg
- The Machinery Directive 2006/42/CE

## MAIN COMPONENTS

Code	Description	EAN Code	Weight (incl. packaging)	Packaging size
286949	caRol™ R TS 250 with 20m cable and davitrac bracket	3600232869498	26.5kg 2.4kg	400x300x270 300x240x100
286959	caRol™ R TS 250 with 30m cable and davitrac bracket	3600232869597	33.7kg 2.4kg	400x300x270 300x240x100
<b>Accessories</b>				
51042	20m cable ø5mm galva with rotating hook for caRol™ R TS250	3600230510422	2.8kg	Ø340x75
51052	30m cable ø5mm galva with rotating hook for caRol™ R TS250	3600230510521	3.8kg	Ø340x75